



YD200V系列高性能V型球阀

YD200V Series High Performance V-port Ball Valves

控制阀顶级专家

TOP CONTROL VALVES EXPERT



无锡市亚迪流体控制技术有限公司

WUXI YADI FLUID CONTROL TECHNOLOGY CO., LTD

三千控制阀网

www.cv3000.com

YD200V SERIES

高性能V型球阀 High Performance V-port Ball Valves

概述 Description

YD200V系列高性能V型球阀是一种具有V型切口的调节阀。这种结构不仅增大了调节比,而且在截流时对密封环具有剪切作用。因此,V型球阀适用于大调节比,以及浆料,纤维质流体等的控制系统。

YD200V series concentric segmental ball valve, which have V-port disc for modulating and shutting applications. V-notch cut at disc mulches makes rangeability larger and creates shearing effect by disc and seal ring. So it is suitable for large rangeability service and control of fluid with slurry and fiber, etc.

技术参数 Technical Data

表 1 Table 1

| | |
|--------------------------------------|--|
| 阀体 形式 Body type | 同心角行程V型球阀 Concentric V-port Disc Ball Valve |
| 公称 通径 Body size | DN25~DN300(1"~12") |
| 公称 压力 Body rating | PN1.6~PN6.3MPa; ANSI CLASS 150~600#; JIS10K~40K |
| 阀体及阀盖材质 Body and bonnet materials | ASTM 216-WCB/A105; A351-CF8/F304;A351-CF8M/F316; Alloy: Ti, Monel, HC HB, etc |
| 阀板 材质 Disc materials | 316/A351-CF8M |
| 连接 方式 Connections | 对夹式 Wafer type |
| 密封环材质 Seal ring materials | 见材料组合 See below |
| 阀盖 形式 Bonnet type | 标准型 (使用温度: -45~+500°C) STD(Tempe.: -45~+500°C) |
| 填 料 Packing | 聚四氟乙烯+碳纤维(或石棉), 使用温度: -45~230°C PTFE+Carbon Fiber, using tempe.-45~230°C; 柔性石墨 Graphite,使用温度-45~600°C using tempe.: -45~600°C; |
| 垫 圈 Gasket | 聚四氟乙烯 PTFE; 石墨 Graphite; 石墨+316 GRAP+316; 石墨+304 GRAP+30 |
| 流量 特性 Characteristic | 近似等百分比 Approximate EQ%; 开关 ON-OFF |
| 涂 层 Painting color | 灰色 Light grey 阀体不涂色 Stainless steel body have no paint |

结构部件及材质 Body Constructions and Materials

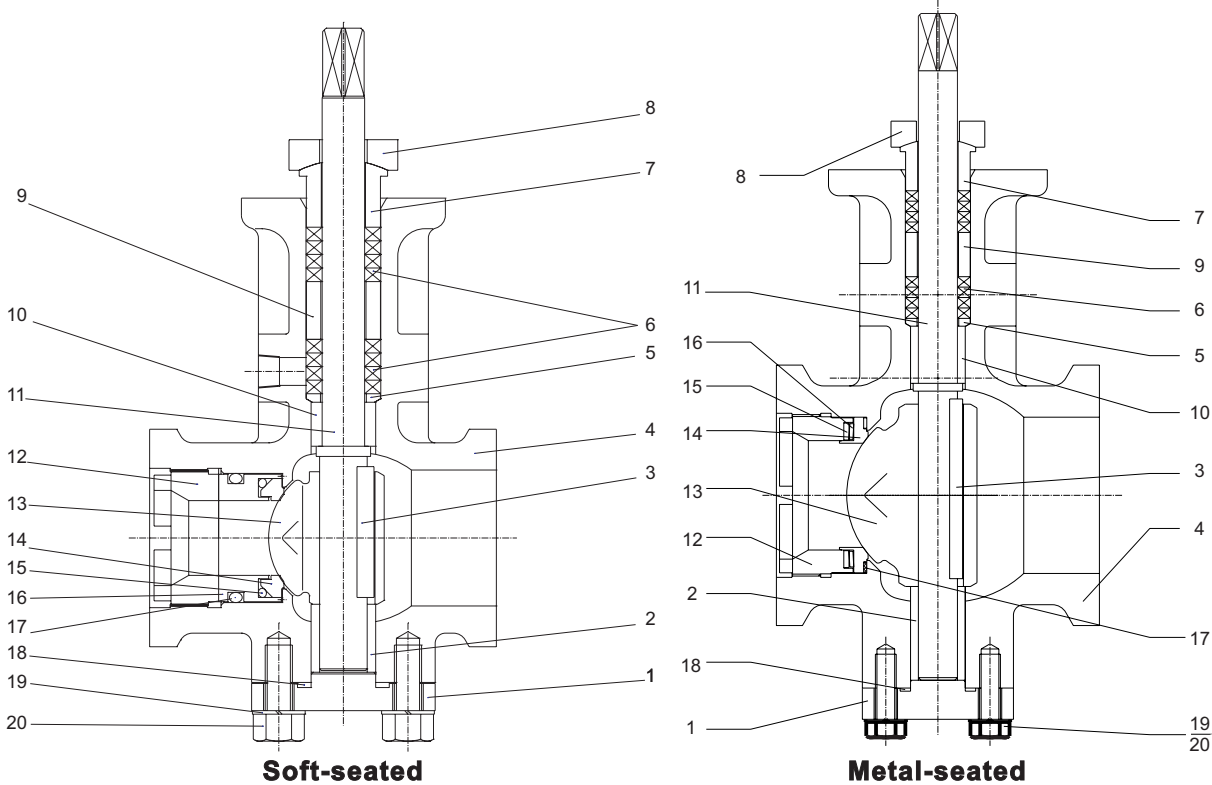


表2 Table2: 质材零件阀体 Materials of Body

| 序号 NO | 名称 Description | 常用 标准材料 Standard Materials | |
|-------|-------------------------|--|---|
| 1 | 底 法 兰 Bottom flange | 铸钢/A216-WCB;304/A351-CF8 | |
| 2 | 底导 向套 Bottom guide | 304(HCr); 316(HCr) | |
| 3 | 键 Key | 45#(处理:Quench) | |
| 4 | 阀 体 Body | A216-WCB; A351-CF8、CF8M | |
| 5 | 填 料 座 Packing seat | 316SS | |
| 6 | 填 料 Packing | 聚四氟乙烯+碳纤维/PTFE+Carbon; 柔性石墨 Graphite | 柔 |
| 7 | 填料 压盖 Packing follower | A351-CF8 | |
| 8 | 填料 压板 Packing plank | A351-CF8 | |
| 9 | 填料 隔套 Packing separator | A351-CF8 | |
| 10 | 轴 承 Bearing | 316SS | |
| 11 | 阀 杆 Stem | 316; 630(析出硬化处理,PH) | |
| 12 | 压 圈 Spacer | A351-CF8、CF8M | |
| 13 | 阀 板 Disc | A351-CF8M(镀铬,HCr); A351-CF8M(堆焊斯太莱合金: Stellite 合金) | |
| 14 | 密 封 环 Seal ring | FV型: 二硫化钼强化聚四氟乙烯+VITON; FN型: 二硫化钼强化聚四氟乙烯+NBR; 316; 316/DS、316/DF | |
| 15 | 垫 环 Gasket ring | NBR; VITON;316 | |
| 16 | 托架/弹簧 Shelf/Spring | 316/Inconel | |
| 17 | O型圈/垫圈 O ring/Gasket | NBR; VITON/316 | |
| 18 | 垫 圈 Gasket | 聚四氟乙烯碳纤维/PTFE+Carbon Fiber; 聚四氟乙烯+石棉/PTFE+Asbe. 柔性石墨 Graphite; G-304; G-316 | |
| 19 | 螺栓 垫片 Gasket | 304; 316 | |
| 20 | 六角 螺母 Bolt | A193-B7/45#; A193-B16/35CrMoA; A307B/Q235A | |

阀体、阀内件材料组合及使用温度范围
Material combinations and using temperature

表 3 Table 3

| | | | | | | | |
|-------------------------------|-----------------|-------------------------------|------------|---------------------|-----------|---------|---------|
| 阀体材料 Body Materials | | A216-WCB, A351-CF8, A351-CF8M | | | | | |
| 阀板 Disc | 材料Materials | A351-CF8M | | | | | |
| | 处理 Treatm. | HCr | | | DS | DF | |
| 阀杆 Plug | 材料Materials | 630 | | | | | |
| | 处理 Treatm. | PH 析出硬化处理 | | | | | |
| 压圈 Retainer | 材料Materials | 316 | | | | | |
| | 处理 Treatm. | 无 NON | | | | DF | |
| 轴承 Bearing | 材料Materials | 316 | | | | | |
| | 处理 Treatm. | HCr | | | | | |
| 密封环 Balance Ring | 材料Materials | M.TFE | | 碳纤维强化聚四氟 乙烯R.TFE | 316 | 316(DS) | 316(DF) |
| | 垫环 Back ring | NBR Ring | VITON Ring | 316 | 无 NON | 无 NON | 无 NON |
| 使用温度 Using Tempe. | WCB 阀体 | -5~60°C | -5~180°C | -5~250°C | -5~400°C | | |
| | CF8/CF8M 阀体 | -45~60°C | -10~180°C | -45~250°C | -45~400°C | | |
| 阀座允许泄漏量 Allow able Leakage | ANSI | Class VI | | | --- | | |
| | R.Cv X | 微气泡级 | | | 0.05%内 | | |

表 4 Table 4

| | | | | | | | |
|-------------------------------|-----------------|-------------------------------|----|----|--|----|--|
| 阀体材料 Body Materials | | A216-WCB, A351-CF8, A351-CF8M | | | | | |
| 阀板 Disc | 材料Materials | A351-CF8M | | | | | |
| | 处理 Treatm. | HCr | DS | DF | | | |
| 阀杆 Plug | 材料Materials | 316 | | | | | |
| | 处理 Treatm. | 无 NON | | | | | |
| 压圈 Retainer | 材料Materials | 316 | | | | | |
| | 处理 Treatm. | 无 NON | | | | DF | |
| 轴承 Bearing | 材料Materials | 316 | | | | | |
| | 处理 Treatm. | HCr | | | | | |
| 密封环 Balance Ring | 材料Materials | 316 | | | | | |
| | 垫环 Back ring | 无 NON | | | | | |
| 使用温度 Using Tempe. | WCB 阀体 | -5~400°C | | | | | |
| | CF8/CF8M 阀体 | -45~400°C | | | | | |
| 阀座允许泄漏量 Allow able Leakage | ANSI | --- | | | | | |
| | R.Cv X | 0.05%内 | | | | | |

YD200V额定Cv值 Rated Cv

表5 Table5

| 公称通径 Valve Size | | L M级阀体与开度(10%~100%)相对应的Cv值 ANSI CLASS 150~300# | | | | | | | | | |
|--------------------|-----|--|------|-----|-----|-----|------|------|------|------|------|
| inch | mm | 10 | 20 | 30 | 40 | 50 | 60 | 70 | 80 | 90 | 100 |
| 1 | 25 | 0 | 0.15 | 1 | 2.8 | 6 | 10 | 15 | 19 | 25 | 32 |
| 1--1/2" | 40 | 0 | 1.3 | 4.6 | 10 | 16 | 25 | 35 | 47 | 61 | 78 |
| 2" | 50 | 0 | 2.3 | 7 | 14 | 21 | 31 | 42 | 56 | 71 | 90 |
| 2--1/2" | 65 | 0.9 | 5 | 13 | 24 | 38 | 55 | 72 | 95 | 130 | 160 |
| 3 | 80 | 1.2 | 7 | 18 | 33 | 55 | 82 | 120 | 160 | 200 | 250 |
| 4 | 100 | 1.8 | 10 | 26 | 48 | 80 | 120 | 165 | 220 | 285 | 360 |
| 5 | 125 | 2.8 | 18 | 45 | 83 | 140 | 200 | 280 | 370 | 480 | 610 |
| 6 | 150 | 5 | 35 | 84 | 165 | 250 | 370 | 510 | 700 | 900 | 1120 |
| 8 | 200 | 8 | 55 | 150 | 260 | 410 | 600 | 810 | 1200 | 1550 | 1850 |
| 10 | 250 | 19 | 90 | 215 | 400 | 650 | 950 | 1400 | 1800 | 2350 | 2950 |
| 12 | 300 | 27 | 115 | 270 | 500 | 810 | 1350 | 1700 | 2300 | 3000 | 3700 |

表6 Table6

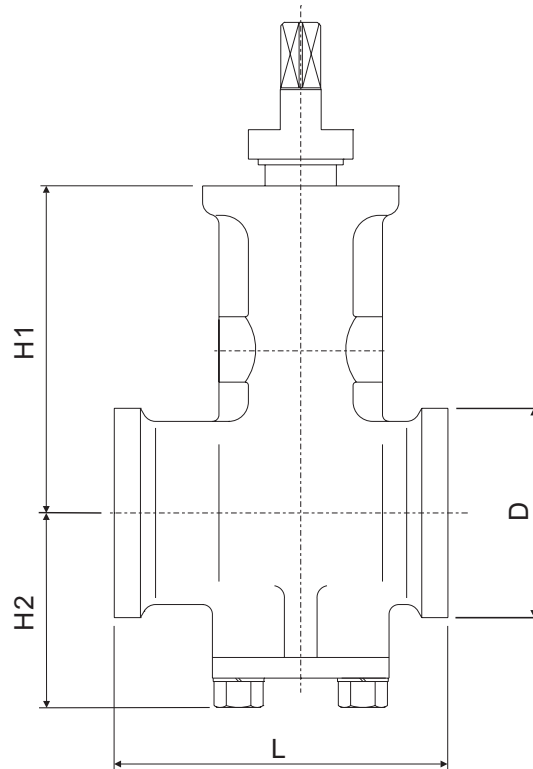
| 公称通径 Valve Size | | H级阀体与开度(10%~100%)相对应的Cv值 ANSI CLASS 600# | | | | | | | | | |
|--------------------|-----|--|------|-----|-----|-----|-----|-----|-----|-----|------|
| inch | mm | 10 | 20 | 30 | 40 | 50 | 60 | 70 | 80 | 90 | 100 |
| 1 | 25 | 0 | 0.15 | 1 | 2.8 | 6 | 10 | 15 | 19 | 25 | 32 |
| 1--1/2" | 40 | 0 | 1.3 | 4.4 | 9.5 | 15 | 24 | 33 | 45 | 58 | 74 |
| 2" | 50 | 0 | 2.2 | 6.6 | 13 | 20 | 29 | 40 | 53 | 67 | 85 |
| 2--1/2" | 65 | 0.9 | 4.8 | 12 | 23 | 36 | 52 | 68 | 90 | 124 | 152 |
| 3 | 80 | 1.2 | 6.7 | 17 | 32 | 53 | 79 | 115 | 154 | 192 | 240 |
| 4 | 100 | 1.7 | 9.4 | 25 | 45 | 76 | 113 | 156 | 208 | 270 | 340 |
| 5 | 125 | 2.6 | 17 | 42 | 78 | 131 | 187 | 262 | 346 | 449 | 570 |
| 6 | 150 | 4.7 | 33 | 79 | 155 | 234 | 347 | 478 | 656 | 844 | 1050 |
| 8 | 200 | --- | --- | --- | --- | --- | --- | --- | --- | --- | --- |
| 10 | 250 | --- | --- | --- | --- | --- | --- | --- | --- | --- | --- |
| 12 | 300 | --- | --- | --- | --- | --- | --- | --- | --- | --- | --- |

Cv值根据本公司标准设计，也可以按照客户要求特殊设计。
阀门口径大于300A的Cv值请咨询YADI技术部。

The rating Cv is designed by the standard of YADI. Yet we can design them for client's special request.
You can ask for the Cv to YADI technology department if the valve size goes beyond 300A.

www.YADIFLUID.COM
YADI Control Valves for Industry Applications

阀本体尺寸(mm)和重量(Kg)
Dimensions[mm] and Weights[Kg]



阀本体部尺寸和重量 Dimensions[mm] and Weights[Kg] of Body

表7 尺寸 Table 7 Dimensions

| 阀门口径 Vale Size | | L | D (ANSI) | ANSIClass 150,300# PN 1.6MPa,PN4.0MPa JIS10K,20K,30K | | ANSIClass 600# PN 6.3MPa JIS40K | |
|-------------------|-------|-----|-------------|--|-----|---------------------------------------|-----|
| | | | | H1 | H2 | H1 | H2 |
| mm | inch | | | | | | |
| 25 | 1 | 102 | 64 | 100 | 60 | 105 | 70 |
| 40 | 1-1/2 | 114 | 82 | 110 | 75 | 120 | 85 |
| 50 | 2 | 124 | 100 | 125 | 95 | 135 | 110 |
| 65 | 2-1/2 | 143 | 118 | 135 | 105 | 155 | 130 |
| 80 | 3 | 165 | 130 | 145 | 120 | 165 | 140 |
| 100 | 4 | 194 | 155 | 180 | 140 | 205 | 165 |
| 125 | 5 | 213 | 185 | 215 | 165 | 245 | 200 |
| 150 | 6 | 229 | 216 | 230 | 165 | 280 | 220 |
| 200 | 8 | 243 | 264 | 275 | 205 | --- | --- |
| 250 | 10 | 297 | 328 | 310 | 240 | --- | --- |
| 300 | 12 | 338 | 373 | 345 | 270 | --- | --- |

以上尺寸和重量仅限于压力等级在ANSI600#以内的阀体. 压力等级大于ANSI600#的阀体尺寸和重量以及阀体口径大于300A的尺寸和重量请咨询技术部或营 部.

The dimensions and weights above are within the pressure rating ANSI600#. You could ask for the rest data to the technology department and business department for the rest data.

表8 重量 Table8 Weights

| 阀门口径 Valve Size | mm | 25 | 40 | 50 | 65 | 80 | 100 | 125 | 150 | 200 | 250 | 300 |
|--|------|-----|--------|------|--------|----|-----|-----|-----|-----|-----|-----|
| | inch | 1" | 1-1/2" | 2" | 1-1/2" | 3" | 4" | 5" | 6" | 8" | 10" | 12" |
| ANSI Class 150~300# PN1.6MPa,4.0MPa | | 7.5 | 8.7 | 10.5 | 13 | 18 | 27 | 43 | 59 | 104 | 140 | 185 |
| ANSI Class 600# PN6.3MPa | | 8.5 | 10 | 12.5 | 15 | 20 | 28 | 45 | 65 | --- | --- | --- |

1.以上数据为理论值,仅提供参考. 2.部分尺寸请咨询YADI技术部.

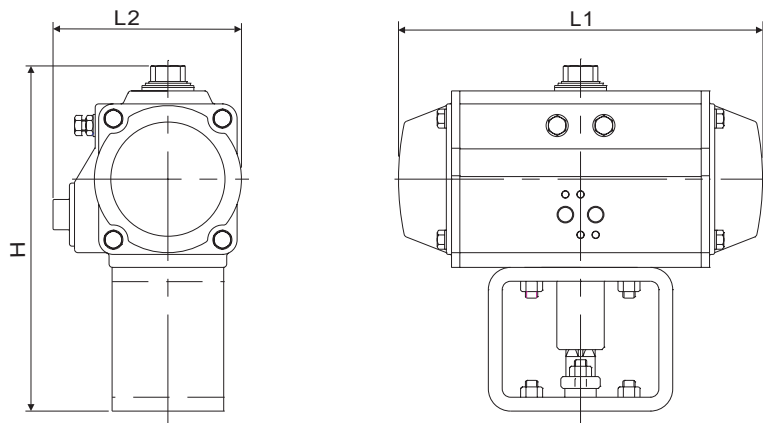
The data above are academic.

You can ask for part of dimensins to YADI technology department about the bodys.

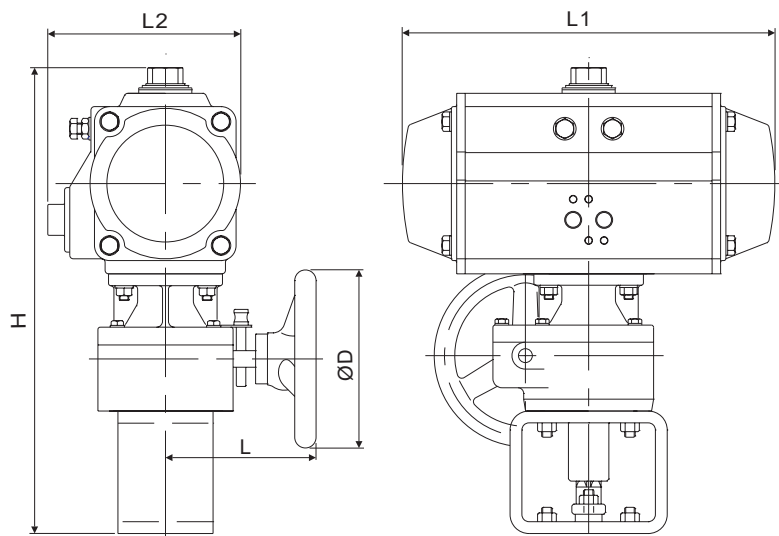
执行机构尺寸和重量 Dimensions[mm] and Weights[Kg] of Actuator

配PC00RA执行机构尺寸与重量 Dimensions[mm] and Weights[Kg] of PC00RA Actuator

执行机构外形图 Fig. of Actuator



单(双)动作执行机构 不带手轮 Single(Double) Action Actuator Without Wheel



单(双)动作执行机构 带手轮 Single(Double) Action Actuator With Wheel

www.YADIFLUID.COM
YADI Control Valves for Industry Applications

PC00RA执行机构尺寸(mm) PC00RA Actuator Dimensions(mm)

PC00RA单双作用执行机构尺寸 表9(不带手轮) PC00RA Actuator Dimensions(without wheel Table9)

PC00RA单双作用执行机构尺寸 表10(带手轮) PC00RA Actuator Dimensions(with wheel Table10)

表9 Table9

| 执行机构型号 Actuator Size | L1 | L2 | H |
|-------------------------|-----|-----|-----|
| PC05RA | 150 | 60 | 105 |
| PC10RA | 170 | 75 | 120 |
| PC20RA | 185 | 85 | 130 |
| PC25RA | 205 | 90 | 140 |
| PC30RA | 260 | 105 | 150 |
| PC35RA | 270 | 115 | 165 |
| PC40RA | 300 | 140 | 185 |
| PC45RA | 390 | 155 | 205 |
| PC50RA | 460 | 180 | 230 |
| PC55RA | 525 | 210 | 260 |
| PC60RA | 535 | 230 | 285 |
| PC65RA | 605 | 260 | 320 |
| PC70RA | 725 | 295 | 350 |
| PC75RA | 745 | 325 | 380 |
| PC80RA | 860 | 380 | 435 |

表10 Table10

| 执行机构型号 Actuator Size | L1 | L2 | H | ΦD | |
|-------------------------|-----|-----|-----|-------------------|-------------------|
| | | | | 单动作 Single Action | 双动作 Double Action |
| PC05RA | 150 | 60 | 105 | 200 | 200 |
| PC10RA | 170 | 75 | 120 | 200 | 200 |
| PC20RA | 185 | 85 | 130 | 200 | 200 |
| PC25RA | 205 | 90 | 140 | 200 | 200 |
| PC30RA | 260 | 105 | 150 | 200 | 200 |
| PC35RA | 270 | 115 | 165 | 200 | 200 |
| PC40RA | 300 | 140 | 185 | 200 | 200 |
| PC45RA | 390 | 155 | 205 | 300 | 300 |
| PC50RA | 460 | 180 | 230 | 300 | 300 |
| PC55RA | 525 | 210 | 260 | 400 | 300 |
| PC60RA | 535 | 230 | 285 | 400 | 300 |
| PC65RA | 605 | 260 | 320 | 600 | 400 |
| PC70RA | 725 | 295 | 350 | 600 | 400 |
| PC75RA | 745 | 325 | 380 | 600 | 600 |

PC00RA执行机构重量(Kg) PC00RA Actuator Weights(Kg)

表11 Table11

| 执行机构型号 Actuator Size | | PC05RA | PC10RA | PC20RA | PC25RA | PC30RA | PC35RA | PC40RA | PC45RA |
|-------------------------|------------|--------|--------|--------|--------|--------|--------|--------|--------|
| 带手轮 With | 单动作 Single | 13.3 | 13.8 | 14.5 | 15.2 | 20.1 | 22 | 24.3 | 35.3 |
| | 双动作 Double | 13.1 | 14 | 14.2 | 14.9 | 19.3 | 21.2 | 23.8 | 32.2 |
| 不带手轮 Non | 单动作 Single | 1.3 | 2 | 2.5 | 3.2 | 5.1 | 7 | 9.3 | 15.3 |
| | 双动作 Double | 1.1 | 1.8 | 2.2 | 2.9 | 4.3 | 6.2 | 8.8 | 12.2 |
| L | | 195 | 195 | 195 | 195 | 195 | 195 | 225 | 235 |

续表 Continued Table11

| 执行机构型号 Actuator Size | | PC50RA | PC55RA | PC60RA | PC65RA | PC70RA | PC75RA | PC80RA |
|-------------------------|------------|--------|--------|--------|--------|--------|--------|--------|
| 带手轮 With | 单动作 Single | 43.8 | 69.8 | 78.6 | 111.8 | 150 | 165 | 269.4 |
| | 双动作 Double | 40.1 | 58.1 | 65.1 | 88 | 118.8 | 145 | 121.5 |
| 不带手轮 Non | 单动作 Single | 23.8 | 44.8 | 53.6 | 76.8 | 115 | 130 | 234.4 |
| | 双动作 Double | 20.1 | 38.1 | 45.1 | 63 | 93.8 | 110 | 186.5 |
| L | | 235 | 235 | 235 | 280 | 280 | 325 | 325 |

YD200E配用PA00RA执行机构的尺寸和重量请咨询YADI技术部。
You can ask for the data about PA00RA Actuator to YADI technology department.

最大允许压差(MPa G)

Maximal Allowable Pressure Drop

1.双动作活塞式执行机构
Shut: 阀关闭时的允许压差
ΔP: 90°开度时允许压差

Double Action Pneumatic Actuator
Allowable Pressure Drop When Shut
Allowable Pressure Drop When 60° Opening

ALPHA执行机构
气源压力: 400KPa G
填料: 强化聚四氟乙烯

ALPHA Actuator
Air Supply: 400KPa G
Packing: R.TFE

表12 Table12

| 执行机构 Actuator | 阀杆材料 Materials | 作用状态 State | 填料: R.TFE Packing: R.TFE | | | | | | | | | | | | |
|------------------|-------------------|---------------|--------------------------|------|------|------|------|------|------|------|------|------|------|------|------|
| | | | 1 | 1.5 | 2 | 2.5 | 3 | 4 | 5 | 6 | 8 | 10 | 12 | | |
| PC10RA(DA63) | 17-4PH | Shut | 4.51 | 1.93 | | | | | | | | | | | |
| | | ΔP | 1.57 | 0.71 | | | | | | | | | | | |
| | 316SS | Shut | 4.2 | 1.93 | | | | | | | | | | | |
| | | ΔP | 1.57 | 0.71 | | | | | | | | | | | |
| PC20RA(DA75) | 17-4PH | Shut | 4.98 | 2.95 | 1.94 | 1.17 | 0.64 | | | | | | | | |
| | | ΔP | 2.32 | 1.06 | 0.69 | 0.38 | 0.22 | | | | | | | | |
| | 316SS | Shut | 4.2 | 2.95 | 1.94 | 1.17 | 0.64 | | | | | | | | |
| | | ΔP | 1.71 | 1.06 | 0.69 | 0.38 | 0.22 | | | | | | | | |
| PC25RA(DA83) | 17-4PH | Shut | 4.98 | 4.77 | 3.17 | 1.94 | 1.13 | | | | | | | | |
| | | ΔP | 3.67 | 1.7 | 1.11 | 0.61 | 0.36 | | | | | | | | |
| | 316SS | Shut | 4.2 | 3.45 | 0.93 | 1.38 | 1.13 | | | | | | | | |
| | | ΔP | 1.71 | 1.44 | 4.85 | 0.51 | 0.36 | | | | | | | | |
| PC30RA(DA92) | 17-4PH | Shut | | | 1.68 | 3 | 1.8 | 0.62 | | | | | | | |
| | | ΔP | | | 2.27 | 0.93 | 0.57 | 0.2 | | | | | | | |
| | 316SS | Shut | | | 0.93 | 1.38 | 1.8 | 0.62 | | | | | | | |
| | | ΔP | | | 0.51 | 0.57 | 0.2 | | | | | | | | |
| PC35RA(DA105) | 17-4PH | Shut | | | | | 2.73 | 1.03 | 0.58 | | | | | | |
| | | ΔP | | | | | 0.85 | 0.33 | 0.18 | | | | | | |
| | 316SS | Shut | | | | | 2.22 | 1.03 | 0.58 | | | | | | |
| | | ΔP | | | | | 0.81 | 0.33 | 0.18 | | | | | | |
| PC40RA(DA125) | 17-4PH | Shut | | | | | 4.42 | 1.76 | 1.04 | 0.64 | | | | | |
| | | ΔP | | | | | 1.36 | 0.55 | 0.3 | 0.23 | | | | | |
| | 316SS | Shut | | | | | 2.22 | 1.76 | 1.04 | 0.64 | | | | | |
| | | ΔP | | | | | 0.81 | 0.55 | 0.3 | 0.23 | | | | | |
| PC45RA(DA140) | 17-4PH | Shut | | | | | | 3.22 | 1.95 | 1.21 | | | | | |
| | | ΔP | | | | | | 1.01 | 0.57 | 0.43 | | | | | |
| | 316SS | Shut | | | | | | 2.19 | 1.97 | 1.21 | | | | | |
| | | ΔP | | | | | | 0.8 | 0.57 | 0.43 | | | | | |
| PC50RA(DA160) | 17-4PH | Shut | | | | | | 4.86 | 3.1 | 1.94 | 0.73 | | | | |
| | | ΔP | | | | | | 1.58 | 0.9 | 0.68 | 0.24 | | | | |
| | 316SS | Shut | | | | | | 2.19 | 2.7 | 1.68 | 0.73 | | | | |
| | | ΔP | | | | | | 0.8 | 0.9 | 0.68 | 0.24 | | | | |
| PC55RA(DA190) | 17-4PH | Shut | | | | | | | 4.98 | 3.22 | 1.35 | 0.7 | 0.47 | | |
| | | ΔP | | | | | | | 1.48 | 1.12 | 0.41 | 0.21 | 0.15 | | |
| | 316SS | Shut | | | | | | | 2.7 | 1.68 | 1.35 | 0.7 | 0.47 | | |
| | | ΔP | | | | | | | 0.9 | 0.68 | 0.41 | 0.21 | 0.15 | | |
| PC60RA(DA210) | 17-4PH | Shut | | | | | | | | 3.68 | 1.71 | 0.9 | 0.62 | | |
| | | ΔP | | | | | | | | 1.38 | 0.5 | 0.25 | 0.19 | | |
| | 316SS | Shut | | | | | | | | 1.68 | 1.71 | 0.9 | 0.62 | | |
| | | ΔP | | | | | | | | 0.68 | 0.5 | 0.25 | 0.19 | | |
| PC65RA(DA240) | 17-4PH | Shut | | | | | | | | 3.68 | 2.63 | 1.42 | 0.99 | | |
| | | ΔP | | | | | | | | 1.47 | 0.76 | 0.39 | 0.29 | | |
| | 316SS | Shut | | | | | | | | 1.68 | 2.07 | 1.42 | 0.99 | | |
| | | ΔP | | | | | | | | 0.68 | 0.7 | 0.39 | 0.29 | | |
| PC70RA(DA270) | 17-4PH | Shut | | | | | | | | | 4.14 | 2.26 | 1.61 | | |
| | | ΔP | | | | | | | | | 1.18 | 0.61 | 0.45 | | |
| | 316SS | Shut | | | | | | | | | 2.07 | 1.72 | 1.22 | | |
| | | ΔP | | | | | | | | | 0.7 | 0.54 | 0.4 | | |
| PC75RA(DA300) | 17-4PH | Shut | | | | | | | | | | 3 | 2.15 | | |
| | | ΔP | | | | | | | | | | | 0.8 | 0.59 | |
| | 316SS | Shut | | | | | | | | | | | 1.72 | 1.22 | |
| | | ΔP | | | | | | | | | | | 0.54 | 0.4 | |
| PC80RA(DA350) | 17-4PH | Shut | | | | | | | | | | | 3.82 | 2.73 | |
| | | ΔP | | | | | | | | | | | 1.16 | 0.86 | |
| | 316SS | Shut | | | | | | | | | | | | 1.72 | 1.22 |
| | | ΔP | | | | | | | | | | | | 0.54 | 0.4 |

www.YADIFLUID.COM
YADI Control Valves for Industry Applications

ALPHA执行机构
气源压力:400KPa G
填料:柔性石墨

ALPHA Actuator
Air Supply:400KPa G
Packing:Graphite

表13 Table13

| 执行机构 Actuator | 阀杆材料 Materials | 作用状态 State | 填料: 柔性石墨 Packing: Graphite | | | | | | | | | | | | |
|------------------|-------------------|---------------|----------------------------|------|------|------|------|------|------|------|------|------|------|------|------|
| | | | 1 | 1.5 | 2 | 2.5 | 3 | 4 | 5 | 6 | 8 | 10 | 12 | | |
| PC10RA(DA63) | 17-4PH | Shut | 3.53 | 1.26 | | | | | | | | | | | |
| | | ΔP | 1.19 | 0.44 | | | | | | | | | | | |
| | 316SS | Shut | 3.22 | 1.26 | | | | | | | | | | | |
| | | ΔP | 1.19 | 0.44 | | | | | | | | | | | |
| PC20RA(DA75) | 17-4PH | Shut | 4.98 | 2.29 | 1.5 | 0.89 | | | | | | | | | |
| | | ΔP | 1.94 | 0.8 | 0.51 | 0.28 | | | | | | | | | |
| | 316SS | Shut | 3.22 | 2.29 | 1.5 | 0.89 | | | | | | | | | |
| | | ΔP | 1.32 | 0.8 | 0.51 | 0.28 | | | | | | | | | |
| PC25RA(DA83) | 17-4PH | Shut | 4.98 | 4.12 | 2.72 | 1.67 | 0.81 | | | | | | | | |
| | | ΔP | 3.28 | 1.44 | 0.94 | 0.52 | 0.25 | | | | | | | | |
| | 316SS | Shut | 3.22 | 2.79 | 1.83 | 1.11 | 0.81 | | | | | | | | |
| | | ΔP | 1.32 | 1.18 | 0.76 | 0.42 | 0.25 | | | | | | | | |
| PC30RA(DA92) | 17-4PH | Shut | 4.98 | 4.98 | 4.41 | 2.71 | 1.49 | | | | | | | | |
| | | ΔP | 3.41 | 2.32 | 1.51 | 0.84 | 0.46 | | | | | | | | |
| | 316SS | Shut | 3.22 | 2.79 | 1.83 | 1.11 | 1.49 | | | | | | | | |
| | | ΔP | 1.32 | 1.18 | 0.76 | 0.42 | 0.46 | | | | | | | | |
| PC35RA(DA105) | 17-4PH | Shut | | | | | 2.42 | 0.66 | | | | | | | |
| | | ΔP | | | | | 0.74 | 0.2 | | | | | | | |
| | 316SS | Shut | | | | | 1.91 | 0.66 | | | | | | | |
| | | ΔP | | | | | 0.7 | 0.2 | | | | | | | |
| PC40RA(DA125) | 17-4PH | Shut | | | | | 4.11 | 1.39 | 0.73 | 0.44 | | | | | |
| | | ΔP | | | | | 1.25 | 0.42 | 0.21 | 0.15 | | | | | |
| | 316SS | Shut | | | | | 1.91 | 1.39 | 0.73 | 0.44 | | | | | |
| | | ΔP | | | | | 0.7 | 0.42 | 0.21 | 0.15 | | | | | |
| PC45RA(DA140) | 17-4PH | Shut | | | | | 2.85 | 1.65 | 1.02 | | | | | | |
| | | ΔP | | | | | 0.88 | 0.47 | 0.35 | | | | | | |
| | 316SS | Shut | | | | | 1.81 | 1.65 | 1.02 | | | | | | |
| | | ΔP | | | | | 0.67 | 0.47 | 0.35 | | | | | | |
| PC50RA(DA160) | 17-4PH | Shut | | | | | 4.49 | 2.79 | 1.74 | 0.55 | | | | | |
| | | ΔP | | | | | 1.45 | 0.8 | 0.6 | 0.18 | | | | | |
| | 316SS | Shut | | | | | 1.81 | 2.39 | 1.49 | 0.55 | | | | | |
| | | ΔP | | | | | 0.67 | 0.8 | 0.6 | 0.18 | | | | | |
| PC55RA(DA190) | 17-4PH | Shut | | | | | | 4.83 | 3.03 | 1.16 | 0.57 | 0.38 | | | |
| | | ΔP | | | | | | 1.39 | 1.05 | 0.35 | 0.17 | 0.12 | | | |
| | 316SS | Shut | | | | | | | 2.39 | 1.49 | 1.16 | 0.57 | 0.38 | | |
| | | ΔP | | | | | | | 0.8 | 0.6 | 0.35 | 0.17 | 0.12 | | |
| PC60RA(DA210) | 17-4PH | Shut | | | | | | 4.68 | 3.49 | 1.52 | 0.77 | 0.53 | | | |
| | | ΔP | | | | | | | 1.73 | 1.31 | 0.45 | 0.22 | 0.16 | | |
| | 316SS | Shut | | | | | | | 2.39 | 1.49 | 1.52 | 0.77 | 0.53 | | |
| | | ΔP | | | | | | | 0.8 | 0.61 | 0.45 | 0.22 | 0.16 | | |
| PC65RA(DA240) | 17-4PH | Shut | | | | | | | | 2.44 | 1.29 | 0.9 | | | |
| | | ΔP | | | | | | | | 0.7 | 0.35 | 0.26 | | | |
| | 316SS | Shut | | | | | | | | | 1.88 | 1.29 | 0.9 | | |
| | | ΔP | | | | | | | | | 0.64 | 0.35 | 0.26 | | |
| PC70RA(DA270) | 17-4PH | Shut | | | | | | | | | 3.94 | 2.14 | 1.52 | | |
| | | ΔP | | | | | | | | | 1.12 | 0.57 | 0.42 | | |
| | 316SS | Shut | | | | | | | | | | 1.88 | 1.61 | 1.13 | |
| | | ΔP | | | | | | | | | | 0.64 | 0.5 | 0.37 | |
| PC75RA(DA300) | 17-4PH | Shut | | | | | | | | | | 2.88 | 2.05 | | |
| | | ΔP | | | | | | | | | | 0.76 | 0.56 | | |
| | 316SS | Shut | | | | | | | | | | | 1.61 | 1.13 | |
| | | ΔP | | | | | | | | | | | 0.5 | 0.37 | |
| PC80RA(DA350) | 17-4PH | Shut | | | | | | | | | | | 3.7 | 2.65 | |
| | | ΔP | | | | | | | | | | | 1.12 | 0.83 | |
| | 316SS | Shut | | | | | | | | | | | | 1.61 | 1.13 |
| | | ΔP | | | | | | | | | | | | 0.5 | 0.37 |

www.YADIFLUID.COM
YADI Control Valves for Industry Applications

2.单动作弹簧复位型执行机构
 Shut:阀关闭时的允许压差
 ΔP :90°开度时允许压差

Single Action Spring Return Actuator
 Allowable Pressure Drop When Shut
 Allowable Pressure Drop When 60° Opening

ALPHA执行机构
 气源压力:400KPa G
 填料:强化聚四氟乙烯

ALPHA Actuator
 Air Supply:400KPa G
 Packing: R.TFE

表14 Table14

| 执行机构 Actuator | 阀杆材料 Materials | 作用状态 State | 填料: R.TFE Packing: R.TFE | | | | | | | | | | | | | |
|------------------|-------------------|---------------|--------------------------|------|------|------|------|------|------|------|------|------|------|------|------|------|
| | | | 1 | 1.5 | 2 | 2.5 | 3 | 4 | 5 | 6 | 8 | 10 | 12 | | | |
| PC10RA(SR63) | 17-4PH | Shut | 1.02 | | | | | | | | | | | | | |
| | | ΔP | 0.27 | | | | | | | | | | | | | |
| | 316SS | Shut | 1.02 | | | | | | | | | | | | | |
| | | ΔP | 0.27 | | | | | | | | | | | | | |
| PC20RA(SR75) | 17-4PH | Shut | 1.84 | 0.69 | 0.42 | | | | | | | | | | | |
| | | ΔP | 0.5 | 0.19 | 0.12 | | | | | | | | | | | |
| | 316SS | Shut | 1.84 | 0.69 | 0.42 | | | | | | | | | | | |
| | | ΔP | 0.5 | 0.19 | 0.12 | | | | | | | | | | | |
| PC25RA(SR83) | 17-4PH | Shut | 2.96 | 1.21 | 0.76 | 0.43 | | | | | | | | | | |
| | | ΔP | 0.81 | 0.34 | 0.22 | 0.12 | | | | | | | | | | |
| | 316SS | Shut | 2.96 | 1.21 | 0.76 | 0.43 | | | | | | | | | | |
| | | ΔP | 0.81 | 0.34 | 0.22 | 0.12 | | | | | | | | | | |
| PC30RA(SR92) | 17-4PH | Shut | 4.6 | 1.97 | 1.28 | 0.75 | 0.37 | | | | | | | | | |
| | | ΔP | 1.27 | 0.56 | 0.36 | 0.2 | 0.1 | | | | | | | | | |
| | 316SS | Shut | 4.2 | 1.97 | 1.28 | 0.75 | 0.37 | | | | | | | | | |
| | | ΔP | 1.27 | 0.56 | 0.36 | 0.2 | 0.1 | | | | | | | | | |
| PC35RA(SR105) | 17-4PH | Shut | | 3.15 | 2.07 | 1.25 | 0.7 | | | | | | | | | |
| | | ΔP | | 0.9 | 0.58 | 0.32 | 0.18 | | | | | | | | | |
| | 316SS | Shut | | 3.15 | 2.07 | 1.25 | 0.7 | | | | | | | | | |
| | | ΔP | | 0.9 | 0.58 | 0.32 | 0.18 | | | | | | | | | |
| PC40RA(SR125) | 17-4PH | Shut | | | 3.29 | 2.02 | 1.18 | 0.35 | | | | | | | | |
| | | ΔP | | | 0.92 | 0.51 | 0.3 | 0.08 | | | | | | | | |
| | 316SS | Shut | | | 2.27 | 1.38 | 1.18 | 0.35 | | | | | | | | |
| | | ΔP | | | 0.92 | 0.51 | 0.3 | 0.08 | | | | | | | | |
| PC45RA(SR140) | 17-4PH | Shut | | | | 3.19 | 2.4 | 0.88 | 0.49 | | | | | | | |
| | | ΔP | | | | 0.98 | 0.6 | 0.22 | 0.11 | | | | | | | |
| | 316SS | Shut | | | | 1.38 | 2.22 | 0.88 | 0.49 | | | | | | | |
| | | ΔP | | | | 0.51 | 0.6 | 0.22 | 0.11 | | | | | | | |
| PC50RA(SR160) | 17-4PH | Shut | | | | | 3.41 | 1.32 | 0.76 | 0.46 | | | | | | |
| | | ΔP | | | | | 0.85 | 0.33 | 0.18 | 0.13 | | | | | | |
| | 316SS | Shut | | | | | 2.22 | 1.32 | 0.76 | 0.46 | | | | | | |
| | | ΔP | | | | | 0.81 | 0.33 | 0.18 | 0.13 | | | | | | |
| PC55RA(SR190) | 17-4PH | Shut | | | | | | 2.69 | 1.62 | 1 | | | | | | |
| | | ΔP | | | | | | 0.67 | 0.37 | 0.28 | | | | | | |
| | 316SS | Shut | | | | | | | 2.19 | 1.62 | 1 | | | | | |
| | | ΔP | | | | | | | 0.67 | 0.37 | 0.28 | | | | | |
| PC60RA(SR210) | 17-4PH | Shut | | | | | | | 3.33 | 2.01 | 1.25 | 0.41 | | | | |
| | | ΔP | | | | | | | 0.83 | 0.47 | 0.35 | 0.11 | | | | |
| | 316SS | Shut | | | | | | | | 2.19 | 2.01 | 1.25 | 0.41 | | | |
| | | ΔP | | | | | | | | 0.8 | 0.47 | 0.35 | 0.11 | | | |
| PC65RA(SR240) | 17-4PH | Shut | | | | | | | | 3.11 | 1.94 | 0.74 | 0.35 | 0.23 | | |
| | | ΔP | | | | | | | | 0.73 | 0.55 | 0.19 | 0.09 | 0.06 | | |
| | 316SS | Shut | | | | | | | | | 2.7 | 1.68 | 0.74 | 0.35 | 0.23 | |
| | | ΔP | | | | | | | | | 0.73 | 0.55 | 0.19 | 0.09 | 0.06 | |
| PC70RA(SR270) | 17-4PH | Shut | | | | | | | | | 3.37 | 1.41 | 0.73 | 0.5 | | |
| | | ΔP | | | | | | | | | 0.95 | 0.34 | 0.17 | 0.13 | | |
| | 316SS | Shut | | | | | | | | | | 1.68 | 1.41 | 0.73 | 0.5 | |
| | | ΔP | | | | | | | | | | 0.68 | 0.34 | 0.17 | 0.13 | |
| PC75RA(SR300) | 17-4PH | Shut | | | | | | | | | | 1.65 | 0.86 | 0.6 | | |
| | | ΔP | | | | | | | | | | 0.39 | 0.2 | 0.15 | | |
| | 316SS | Shut | | | | | | | | | | | 1.65 | 0.86 | 0.6 | |
| | | ΔP | | | | | | | | | | | 0.39 | 0.2 | 0.15 | |
| PC80RA(SR350) | 17-4PH | Shut | | | | | | | | | | | 2.26 | 1.22 | 0.84 | |
| | | ΔP | | | | | | | | | | | 0.53 | 0.27 | 0.2 | |
| | 316SS | Shut | | | | | | | | | | | | 2.07 | 1.22 | 0.84 |
| | | ΔP | | | | | | | | | | | | 0.53 | 0.27 | 0.2 |

www.YADIFLUID.COM
YADI Control Valves for Industry Applications

ALPHA单动作弹簧复位型执行机构
 气源压力:400KPa G
 填料:柔性石墨

ALPHA Actuator
 Air Supply:400KPa
 Packing: Graphite

表12 Table12

| 执行机构 Actuator | 阀杆材料 Materials | 作用状态 State | 填料: 柔性石墨 Packing: Graphite | | | | | | | | | | | | |
|------------------|-------------------|---------------|----------------------------|------|------|------|------|------|------|------|------|------|------|------|------|
| | | | 1 | 1.5 | 2 | 2.5 | 3 | 4 | 5 | 6 | 8 | 10 | 12 | | |
| PC10RA(SR63) | 17-4PH | Shut | | | | | | | | | | | | | |
| | | ΔP | | | | | | | | | | | | | |
| | 316SS | Shut | | | | | | | | | | | | | |
| | | ΔP | | | | | | | | | | | | | |
| PC20RA(SR75) | 17-4PH | Shut | 0.86 | | | | | | | | | | | | |
| | | ΔP | 0.12 | | | | | | | | | | | | |
| | 316SS | Shut | 0.86 | | | | | | | | | | | | |
| | | ΔP | 0.12 | | | | | | | | | | | | |
| PC25RA(SR83) | 17-4PH | Shut | 1.98 | 0.54 | 0.32 | | | | | | | | | | |
| | | ΔP | 0.43 | 0.07 | 0.04 | | | | | | | | | | |
| | 316SS | Shut | 1.98 | 0.54 | 0.32 | | | | | | | | | | |
| | | ΔP | 0.43 | 0.07 | 0.04 | | | | | | | | | | |
| PC30RA(SR92) | 17-4PH | Shut | 3.62 | 1.31 | 0.84 | 0.48 | | | | | | | | | |
| | | ΔP | 0.89 | 0.29 | 0.19 | 0.1 | | | | | | | | | |
| | 316SS | Shut | 3.22 | 1.31 | 0.84 | 0.48 | | | | | | | | | |
| | | ΔP | 0.89 | 0.29 | 0.19 | 0.1 | | | | | | | | | |
| PC35RA(SR105) | 17-4PH | Shut | | 2.49 | 1.63 | 0.98 | 0.38 | | | | | | | | |
| | | ΔP | | 0.63 | 0.41 | 0.23 | 0.07 | | | | | | | | |
| | 316SS | Shut | | 2.49 | 1.63 | 0.98 | 0.38 | | | | | | | | |
| | | ΔP | | 0.63 | 0.41 | 0.23 | 0.07 | | | | | | | | |
| PC40RA(SR125) | 17-4PH | Shut | | | 2.85 | 1.74 | 0.87 | | | | | | | | |
| | | ΔP | | | 0.75 | 0.42 | 0.19 | | | | | | | | |
| | 316SS | Shut | | | 1.83 | 1.11 | 0.87 | | | | | | | | |
| | | ΔP | | | 0.75 | 0.42 | 0.19 | | | | | | | | |
| PC45RA(SR140) | 17-4PH | Shut | | | | 2.91 | 2.09 | 0.51 | | | | | | | |
| | | ΔP | | | | 0.89 | 0.49 | 0.08 | | | | | | | |
| | 316SS | Shut | | | | 1.11 | 1.91 | 0.51 | | | | | | | |
| | | ΔP | | | | 0.42 | 0.49 | 0.08 | | | | | | | |
| PC50RA(SR160) | 17-4PH | Shut | | | | | 3.1 | 0.95 | 0.46 | | | | | | |
| | | ΔP | | | | | 0.74 | 0.2 | 0.07 | | | | | | |
| | 316SS | Shut | | | | | 1.91 | 0.95 | 0.46 | | | | | | |
| | | ΔP | | | | | 0.7 | 0.2 | 0.07 | | | | | | |
| PC55RA(SR190) | 17-4PH | Shut | | | | | 4.63 | 2.31 | 1.31 | 0.89 | | | | | |
| | | ΔP | | | | | 1.52 | 0.54 | 0.27 | 0.21 | | | | | |
| | 316SS | Shut | | | | | 1.91 | 2.31 | 1.31 | 0.89 | | | | | |
| | | ΔP | | | | | 0.7 | 0.54 | 0.27 | 0.21 | | | | | |
| PC60RA(SR210) | 17-4PH | Shut | | | | | | 2.95 | 1.71 | 1.06 | 0.23 | | | | |
| | | ΔP | | | | | | 0.7 | 0.37 | 0.27 | 0.05 | | | | |
| | 316SS | Shut | | | | | | | 1.81 | 1.71 | 1.06 | 0.23 | | | |
| | | ΔP | | | | | | | 0.67 | 0.37 | 0.27 | 0.05 | | | |
| PC65RA(SR240) | 17-4PH | Shut | | | | | | 4.49 | 2.8 | 1.74 | 0.55 | 0.23 | | | |
| | | ΔP | | | | | | 1.15 | 0.62 | 0.47 | 0.13 | 0.05 | | | |
| | 316SS | Shut | | | | | | | 1.81 | 2.39 | 1.49 | 0.55 | 0.23 | | |
| | | ΔP | | | | | | | 0.67 | 0.62 | 0.47 | 0.13 | 0.05 | | |
| PC70RA(SR270) | 17-4PH | Shut | | | | | | | 4.98 | 3.18 | 1.23 | 0.61 | 0.41 | | |
| | | ΔP | | | | | | | 1.15 | 0.87 | 0.28 | 0.13 | 0.1 | | |
| | 316SS | Shut | | | | | | | | 2.39 | 1.49 | 1.23 | 0.61 | 0.41 | |
| | | ΔP | | | | | | | | 0.8 | 0.61 | 0.28 | 0.13 | 0.1 | |
| PC75RA(SR300) | 17-4PH | Shut | | | | | | | | 3.49 | 1.46 | 0.73 | 0.5 | | |
| | | ΔP | | | | | | | | 1.01 | 0.33 | 0.16 | 0.12 | | |
| | 316SS | Shut | | | | | | | | | 1.49 | 1.46 | 0.73 | 0.5 | |
| | | ΔP | | | | | | | | | 0.61 | 0.33 | 0.16 | 0.12 | |
| PC80RA(SR350) | 17-4PH | Shut | | | | | | | | | | 2.08 | 1.09 | 0.75 | |
| | | ΔP | | | | | | | | | | | 0.47 | 0.24 | 0.17 |
| | 316SS | Shut | | | | | | | | | | | 1.88 | 1.09 | 0.75 |
| | | ΔP | | | | | | | | | | | 0.47 | 0.24 | 0.17 |

www.YADIFLUID.COM
 YADI Control Valves for Industry Applications

常用密封件 Parts of Sealing

填料 Packing

垫圈 Gasket

密封件的温度-压力使用范围详见我公司技术资料:YDVTEC
See the technology data :YDVTEC

www.YADIFLUID.COM
YADI Control Valves for Industry Applications

YD200V型号编制说明 Valve Code

以YD200V-PC20RARN PN1.6MPa WCB 25A 为例: For Example:

| 型号 Type | 执行机构标识 Identifier of Actuator | | 特征尺寸 characteristic dimension | 动作方式 Action Mode | 设计编号 Design Number | 作用方向 Action Direction | 手动机构 Hand Wheel | 公称压力 Nominal Pressure | 阀体材料 Body Material | 公称通径 Valve Size |
|------------|----------------------------------|-----|----------------------------------|---------------------|-----------------------|--------------------------|--------------------|--------------------------|-----------------------|--------------------|
| YD200V | -- | P C | 20 | R | A | R | N | PN1.6MPa | WCB | 25A |

控制阀型号: Type
高性能V型球阀
High Performance V-port
Disc Ball Valves

执行机构类型: Type
D: 薄膜型 Diaphragm
P: 气缸型 Piston Spring Return
E: 电动式 Electronic
Y: 液压式 Hydraulic pressure
S: 特殊 Especial

执行机构标识:
Identifier of Actuator
A. B. C系列 公司研发
Made by ourselves

执行机构特征尺寸
Characteristic Dimension
10, 20, 25...80

动作方向: Action Direction
R: 角行程 Rotary

设计编号: Design Number
A: 第一次设计 The First Design
B: 第二次设计 The Second Design
C: 第三次设计 The Third Design
...

阀体口径尺寸 Valve Size
mm: DN25~DN300
inch: 1"~12"

阀体材料 Body Materials
ASTM216-WCB
304/A351-CF8/F304
316/A351-CF8M/F316
钛/Ti, Monel, Hast.c合金等

公称压力 Nominal Pressure
PN: 1.6~6.3MPa
ANSI: 150~600#
JIS: 10~40K

手动机构 Hand Wheel
S: 带手轮 Ordinarily
N: 无手轮 Non

作用方向 Action Direction
D: 单动作正作用
Direct and Single Action
R: 单动作反作用
Reverse and Single Action
W: 双动作 Double Action

www.YADIFLUID.COM
YADI Control Valves for Industry Applications

备注: Remark

www.YADIFLUID.COM
YADI Control Valves for Industry Applications

无锡市亚迪流体控制技术有限公司

地址:无锡市滨湖区胡埭工业园陆藕路29-1号

电话: +86-510-85215868

传真: +86-510-85226539

邮编: 214161

WUXI CITY YADI FLUID CONTROL TECHNOLOGY CO., LTD

ADD: 29-1, Luou Road, Hudai Industrial Park, Binhu District, Wuxi City
Jiangsu Prov, China

Tel: +86-510-85215868

Fax: +86-510-85226539

Email: yadi@yadifluid.com

Website: www.yadifluid.com

Post Code: 214161

www.YADIFLUID.COM
YADI Control Valves for Industry Applications