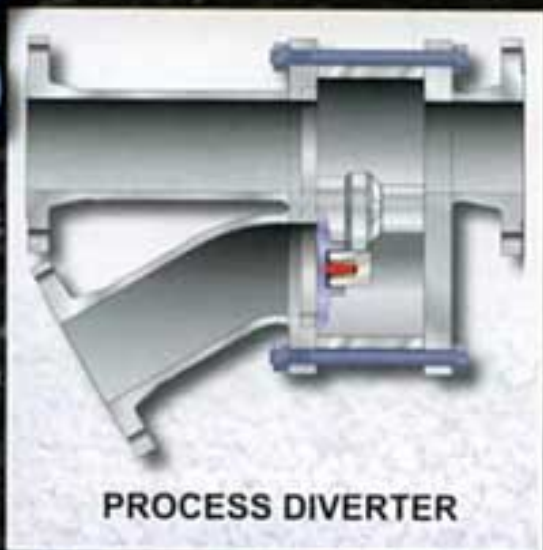
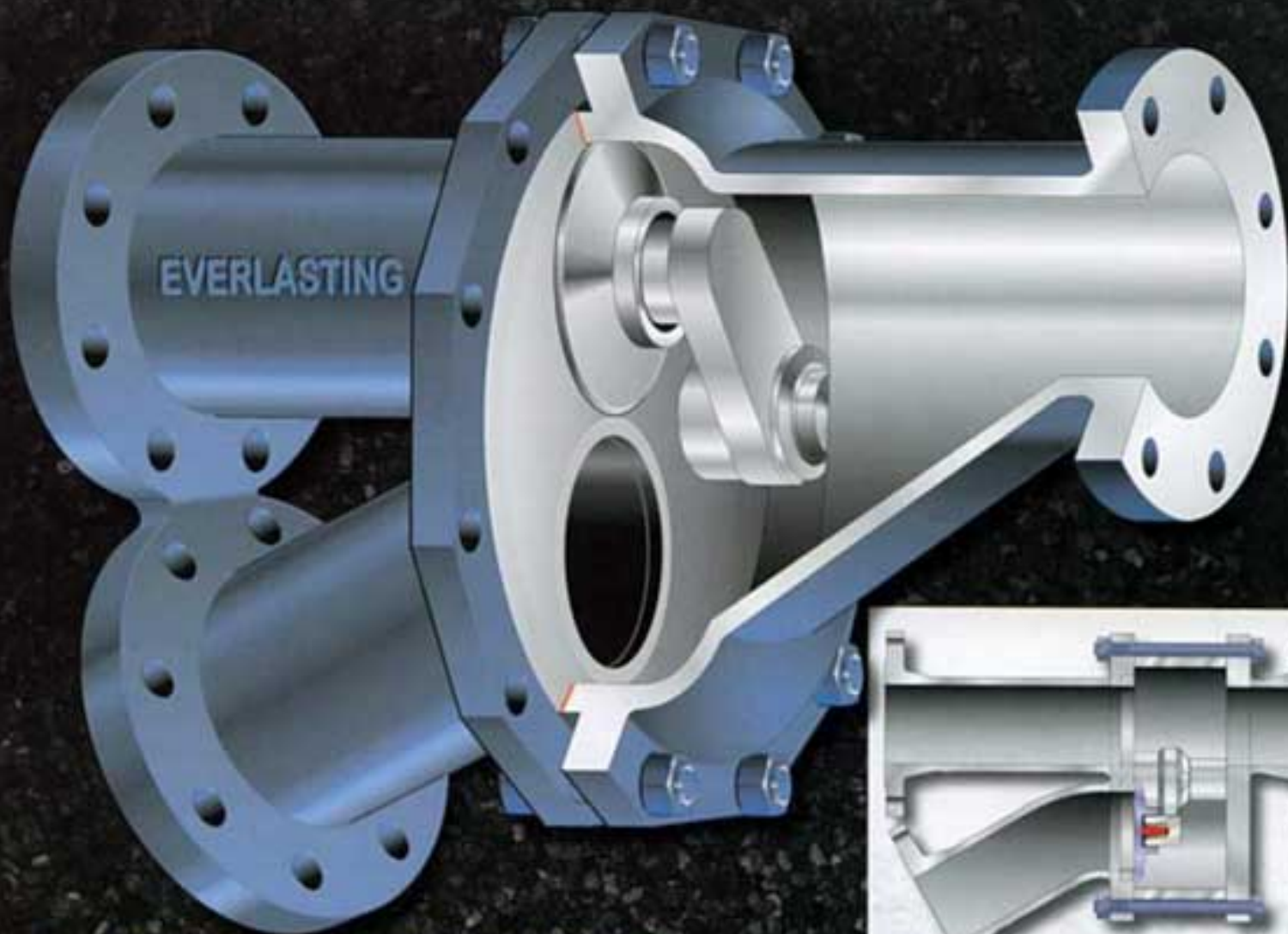




**Everlasting**  
VALVE COMPANY, INC.

ISO 9001  
CERTIFIED  
COMPANY

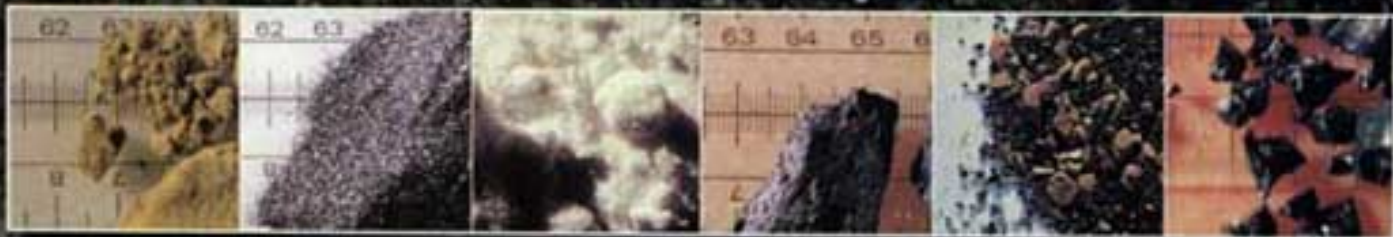


PROCESS DIVERTER

## **DIVERTER VALVES**

**Switch on the fly, Dependably**

**For applications of erosive slurries or whenever abrasive solids are conveyed**



**Everlasting Valve Company, Inc.**

108 Somogyi Court, South Plainfield, NJ 07080

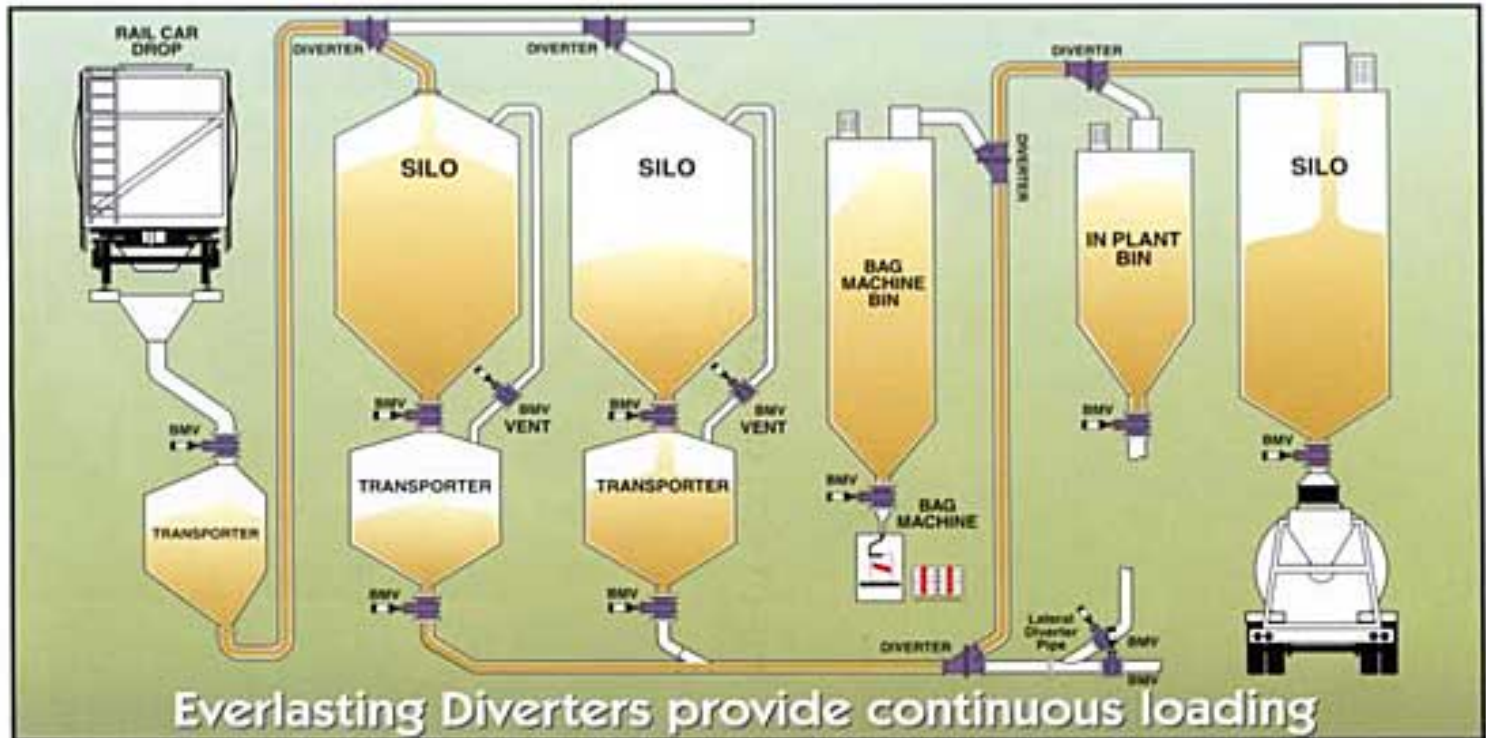
908-769-0700 Fax: 908-769-8697 Visit our website: [www.everlastingvalveusa.com](http://www.everlastingvalveusa.com)

# The Everlasting Diverter that's built

## Switch lines on-the-fly

A major cement company produced 55 ton/hour, but to switch lines they had to stop the compressor then take 15 minutes to come back to pressure. Each time the lines were switched 13.75 tons of product was not conveyed. With Everlasting Diverters there is no time

lost. Are your down stream lines plugging, is the fringe bin full, do you have an off quality silo? How much are you losing with your present non-switch on the fly diverters? How much are your installed diverters costing you in parts, labor and lost production?



## Everlasting Diverters are Self-Cleaning, Self-Lapping and Long-Lasting

**SELF-CLEANING** Everlasting valves are designed with an open valve body that provides ample room for free flowing media to be displaced by the small volume disc and lever arm. The eccentric body to pipe connections cause the media to swirl in the open body. With the lateral piped to a vertical line media drops by gravity then is discharged through the straight leg with the next cycle. The closed port seat and disc surfaces are always shielded from harsh media.

away as the disc moves from one port to the other. This feature is unique to Everlasting Valve. No other valve is similar.

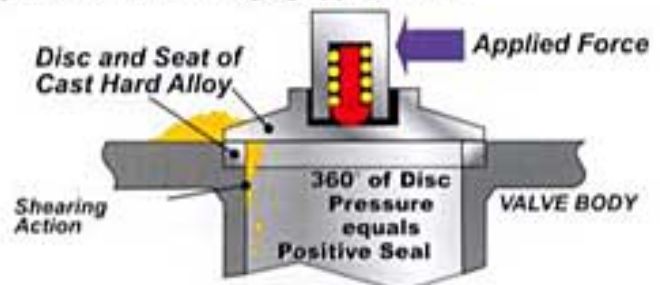


**Self-lapping  
Wears In  
Not out!**

**POSITIVE SHUT-OFF** Machine lapping of the sealing surfaces at the factory assures tight shut off. Leak rates are less than industry standard ANSI B.16.34; MSS-SP61 for metal seated valves. Each valve is tested to assure seat and body integrity. The spring loaded disc is held firmly against the path that it travels. Having sharp edges the seat and disc shear away any deposits from their sealing surfaces. Valve may be used for Converging applications.



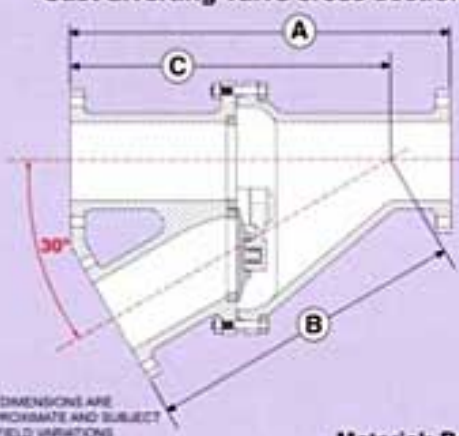
**SELF-LAPPING SEALING SURFACES** With each cycle the flat disc freely rotates around a spring loaded rivet internal to the disc drive. Disc rotation occurs as the center of friction under the disc seeks alignment with applied force. Scratches that may develop in the wide sealing surfaces are polished



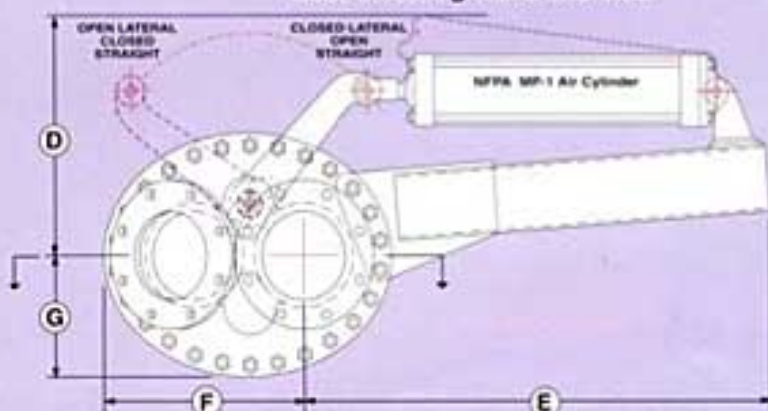
# to handle your most abrasive media

## Diverter dimensions specifications and options

Cast diverting valve cross section



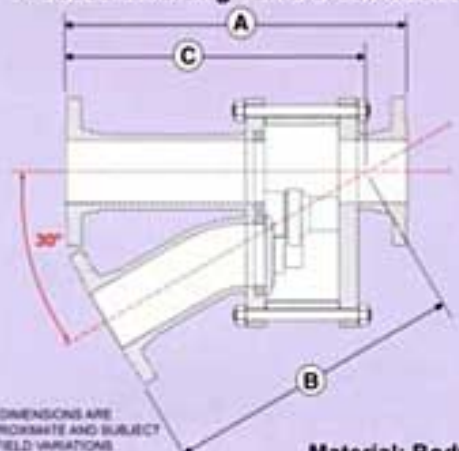
Cast diverting valve end view



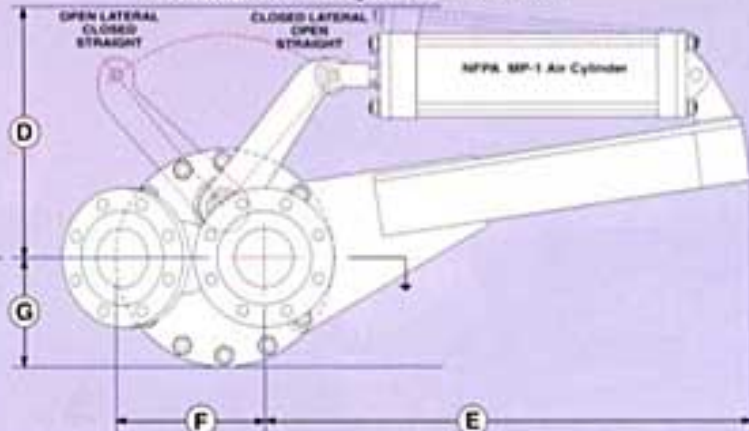
Material: Body cast iron, class 125 flanges, disc & seats hardened alloy 38RC to 59RC

Valve (mm)	A	B	C	D	E	F	G	Press/Temp Rating
4" (100)	22"	23 1/8"	23 1/8"	16 7/8"	31 1/8"	9 5/8"	6 1/8"	100 psi / 7 bar 450° F / 232° C
5" (125)	21 3/4"	19 3/8"	19 3/8"	17 1/2"	32 1/4"	12 7/8"	7 1/2"	
6" (150)	29"	23 1/8"	23 1/8"	21 1/4"	44"	12 7/8"	7 1/2"	
8" (200)	29 1/2"	25 1/4"	25 1/4"	20 1/2"	43 7/8"	19 1/8"	10 7/8"	
10" (250)	35 1/2"	30 3/8"	30 3/8"	23 1/8"	42 7/8"	21"	11 3/8"	
12" (300)	40"	35 3/8"	35 3/8"	23 7/8"	45 1/8"	22 1/4"	11 3/8"	

Process diverting valve cross section

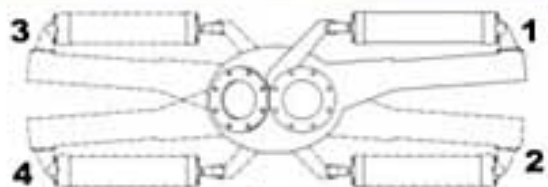


Process diverting valve end view



Material: Body Carbon steel / alloy ANSI, DIN flanges, disc & seats hardened alloy 38RC to 59RC

Valve (mm)	A	B	C	D	E	F	G	Press/Temp Rating
2" (50)	16 1/2"	12"	12"	10 7/8"	24 1/8"	6 3/8"	4 3/8"	ANSI B 16.34 CLASS 150.
3" (80)	19 1/2"	15 1/4"	15 1/4"	16 1/8"	33"	9 5/8"	6 1/2"	
4" (100)	21"	18 1/2"	18 3/8"	16 1/8"	31 1/2"	9 5/8"	7"	
6" (150)	22 1/2"	23"	23 1/8"	21"	44 1/4"	13 3/8"	9 5/8"	
8" (200)	26 1/2"	26 3/4"	26 1/2"	21 3/4"	41 5/8"	17"	12"	
10" (250)	30"	31 5/8"	31 1/2"	24 1/4"	47 7/8"	20 1/8"	14 1/4"	



Actuator mounting positions code

### ACTUATION

Lever, manual  
Wheel, manual  
Pneumatic cylinder  
Electric

standard  
standard  
standard  
optional

### OPTIONS

Solenoid valve  
Limit switches  
Fail Safe

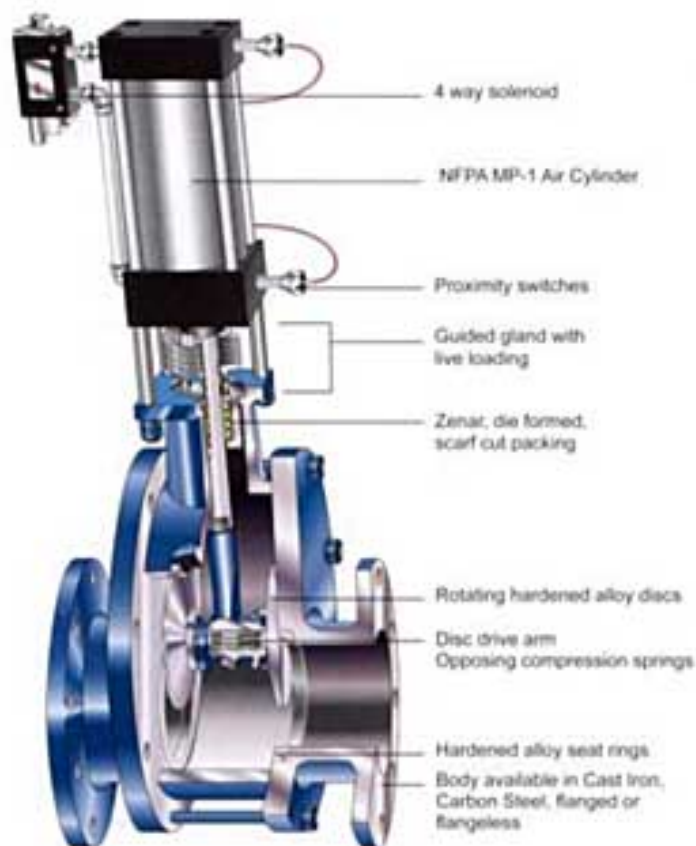
4-way  
Proximity or mechanical  
Air reservoir type or SR

Process Diverter standard materials of construction are carbon steel or stainless steel, other alloys are selected to suit your application. Disc and seats are solid hardened alloys in the 38RC to 59RC range for long life in abrasive media. Diverter are designed to ANSI codes and Everlasting will fabricate the valve to meet your process conditions. Various end connection configurations are available including DIN flanges. Please refer to [www.everlastingvalveusa.com](http://www.everlastingvalveusa.com) to download a Request For Quote form (RFQ). Start saving time and money today.

**EVERLASTING VALVE COMPANY, 908-769-0700**  
[www.everlastingvalveusa.com](http://www.everlastingvalveusa.com)

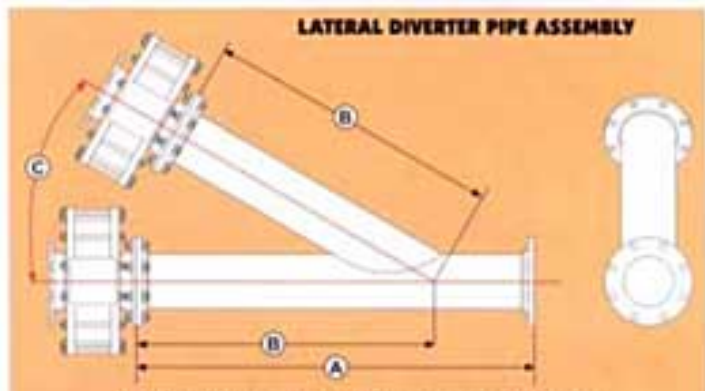
# Everlasting BMV series valves used in diverting lines

Everlasting Valve produces a complete line of Bulk Material Valves that when used in tandem with a fabricated lateral "Y" connection becomes a Diverter that can be used to divert, mix, or completely stop any media flow. The Everlasting BMV series uses the same proven and patented rotating disc and seat design that Everlasting is known for. Dynamic spring loaded stuffing box can be re-packed with valve in place.



## Everlasting Bulk Material Valve

The Everlasting Diverter and BMV are excellent in fly ash, Portland cement, kiln dust, alumina hydrate, alumina silica, calcined kaolin, sugar, titanium dioxide, ilmenite and rutile ores, pet coke, coal, catalyst and many other abrasives. Please request our booklet on the Everlasting Bulk Material Valves. Dimensions in this booklet are approximate and are used for estimating.



Size (inch / mm)	(C) Angle	(A) Straight	(B) Lateral / Intersect
3"	30°	30"	24"
(80)	45°	21"	15"
4"	30°	34"	28"
(100)	45°	24"	18"
5"	30°	44"	32"
(125)	45°	30"	20"
6"	30°	48"	36"
(150)	45°	40"	24"
8"	30°	60"	48"
(200)	45°	48"	30"
10"	30°	72"	54"
(250)	45°	54"	36"
12"	30°	84"	66"
(300)	45°	62"	42"

Call us today 1-908-769-0700 or go to our Website [www.everlastingvalveusa.com](http://www.everlastingvalveusa.com)

Valve Manufacturers Since 1906

- Boiler Blowoff Valves
- Bulk Material Valves
- Process Valves
- Diverter Valves



**Everlasting**  
 VALVE COMPANY, INC.

ISO 9001  
 CERTIFIED  
 COMPANY

108 Somogyi Court, South Plainfield, NJ 07080  
 908-769-0700 Fax: 908-769-8697

Represented by:

QUALITY MANAGEMENT SYSTEM  
 CERTIFIED BY DNV  
 ISO 9001:2000

