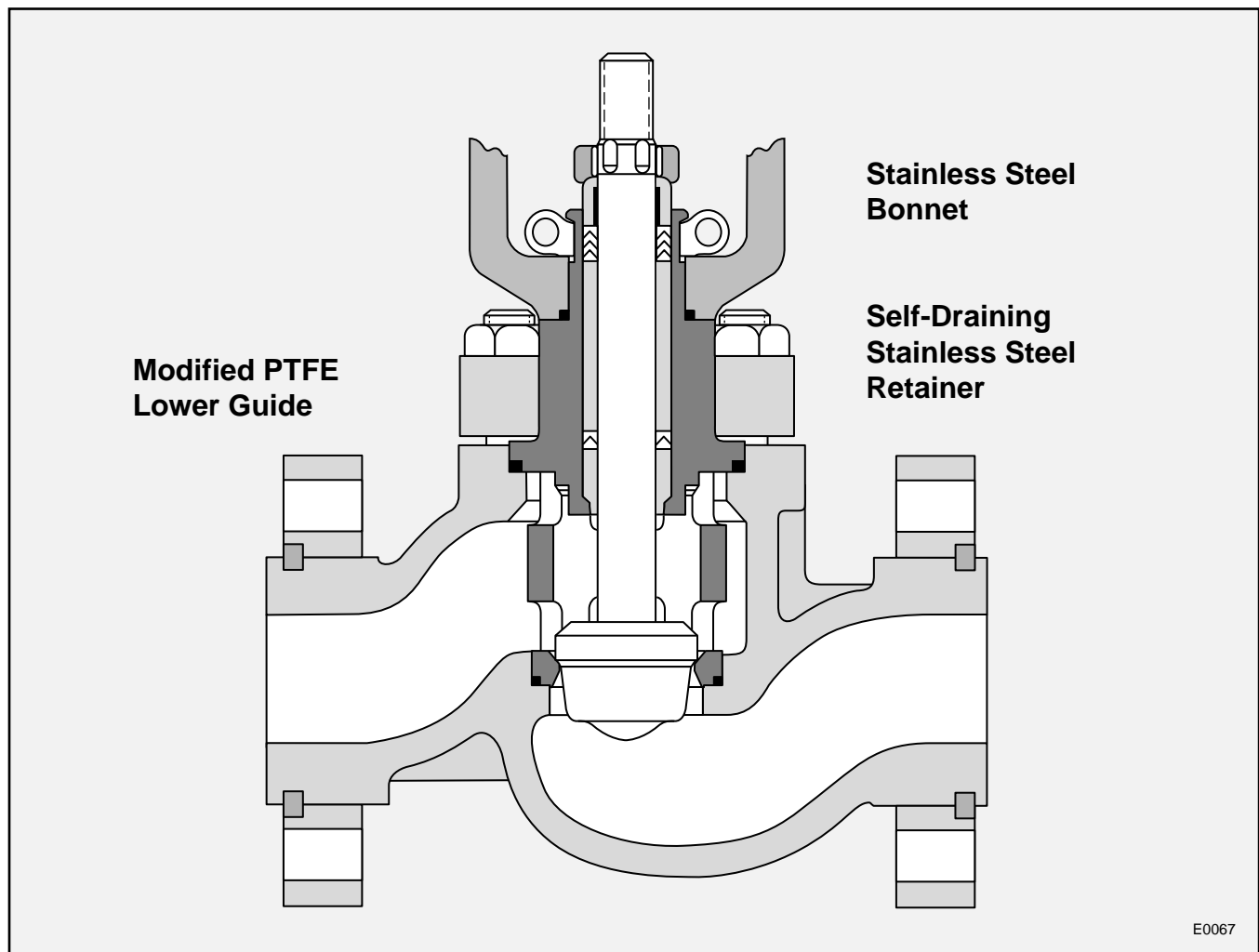


FLOWSERVE[®]

VALTEK[®]

Mark One Sanitary Trim

Mark One Sanitary Trim



E0067

The Valtek® Mark One Sanitary Trim (Mark One-S™) valve is a high performance control valve designed to meet the special requirements of the food processing industry. The internal parts of the valve are built with streamlined flow passages, eliminating pockets which could cause fluid stagnation.

The Mark One-S features 316 stainless steel and PTFE wetted parts to prevent contamination and to promote easy cleaning. The special design assures self-draining of the body gallery by allowing the process fluid to drain out of the downstream portion of the body when the valve is closed. Because of this design feature, normal flow direction is to open.

This valve includes all of the special features and benefits of the standard Mark One control valve.

The powerful cylinder actuator is compact and light-weight – simplifying installation and maintenance.

Flowserve's high thrust cylinder actuators are rated to 150 psi (10.3 Bar), eliminating the cost and maintenance of air regulators.

A characterizable cam positioner is mounted on most cylinder actuators. The cam allows modification of valve operation to match system requirements. Flowserve's Valtek positioner, convertible between I/P and P/P, has four-way operation providing stable, accurate positioning required for economical operation.

Separable end flanges are available, providing simple alignment of flange bolting for easy installation.

The valve's simple design permits a high degree of interchangeability; thus, decreasing the number of required spare parts and saving money through simplified maintenance.

Refer to Flowserve's Valtek Mark One control valve technical bulletin for additional specifications.